

Vivenis

Single lever shower mixer for exposed installation

Surfaces: **Matt Black** Article Number: **75620670**



Description

product features

- 1 function
- connection type: s-shaped connections
- centre distance: 150 ± 12 mm
- maximum flow rate at 3 bar: 12,3 l/min
- ceramic cartridge
- min. operating pressure: 1 bar
- max. operating pressure: 10 bar
- temperature limitation adjustable
- non-return valve
- with silencer
- hose connection DN15
- connection dimension: DN15

Design awards

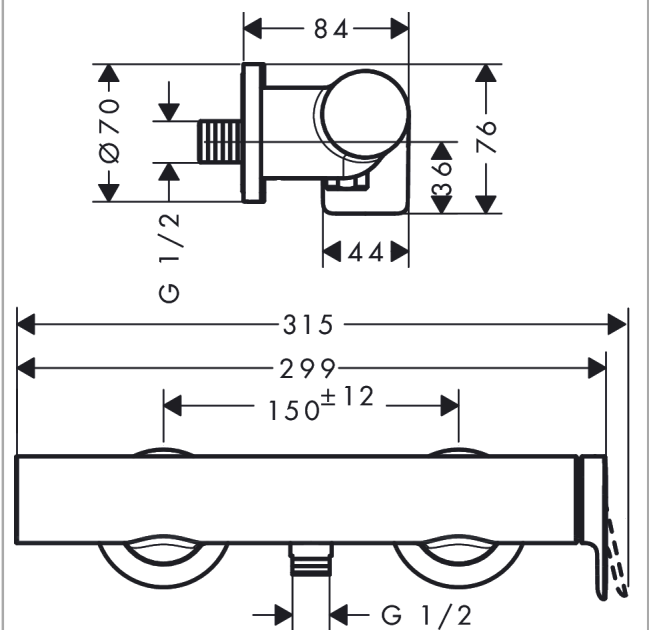


reddot winner 2021

Product image



Scale drawing



Flowchart

